



LEAHUA



Tube360

LH -T360

This manual contains important information.
Please read before operating fixture.

Guangzhou Leahua Lighting Technology Ltd
[http:// www.leahualighting.com](http://www.leahualighting.com)

Index

1. Safety Instructions	2
2. Technical Specifications	3
3. Operation	6
3.1 Front panel operation	6
3.2 Board instruction	6
3.3 Ways to control	8
4. DMX Protocol	10
5. Installation	13
6. Maintenance & Cleaning	15
6.1 Cleaning	15
6.2 Lubrication	15
6.3 Troubleshooting	15

Accessories

Name	Quantity	Remark
User manual	1pc	
Led tube	1pc	
Power cable	1pc	
DMX signal cable	1pc	
Safety cord	1pc	Optional

1. Safety Instructions

WARNING!!! To reduce the risk of fire, electric shock, or injury to persons, follow these important safety instructions:

- Check before use

Before operation, inspect the fixture for transportation damage. Do not use it if damaged. Unauthorized modification or improper use is not covered by warranty.

- Environment

The fixture is IP65-rated, suitable for indoor/outdoor use, and can operate in humid or dusty areas. Keep it away from excessive heat, fire, vibration, electrical surges, and strong light.

- Personnel & operation

Installation and operation must be performed by qualified personnel. Ensure all covers are securely in place, wear protective gear, and do not open the housing or attempt self-maintenance.

- Optical safety

Do not look directly into the light source. Do not use with dimmer packs. Maintain a minimum distance of 20 m from illuminated surfaces, and replace damaged optical components immediately.

- Electrical safety

Ensure correct voltage, proper grounding, and compliant power cords. Do not use damaged cables, and unplug by holding the plug. Avoid operating under heavy rain or extreme humidity, and avoid frequent on/off switching.

- Installation

Use the safety cord through the provided safety holes. Keep at least 50 cm ventilation clearance and do not mount on flammable surfaces or aim the beam at combustible objects (minimum 20 m).

- Temperature & normal conditions

Housing temperature may reach 45 – 75° C during operation. Slight smoke or odor may occur at first ignition and is considered normal.

2. Technical Specifications

Power

Input Voltage: AC100-240 V, 50/60 Hz; DC12.6V 4A

Power Consumption: 30W/ 45W/ 60W

Light source

Light Source: 288×0.25 W RGBWA LED, 24section pixel control.

CTO: 2700-6500K

CRI>80

Life expectancy: 20000 hours(factory rated)

Beam Angle

Beam Angle: 360°

Control

Display: LCD Display

Control mode: DMX512, master-slave, auto, sound, wireless, remote

Wireless effective distance: 400meters

Channel: 10/ 52/ 124CH

Dimming/Strobe

Dimming: 0-100% linear dimming system

Dimming Mode: Mode1(high power mode) / Mode2(medium mode) /

Mode3(low power mode)

Strobe: 0-24 F.P.S, speed adjustable

Housing

Housing: PC tube+Alloy

Protection rate: IP65

Working temperature

Working temperature: -20°C ~ 40°C

Connection

Power connection:DC12.6V 4A Charging Port

DMX connection:3.5mm TRS to 3pin XLR

Battery

Battery type: Lithium Ion

Battery Power: 144Wh; 12V, 12000mAh

Battery Charge Time:About 6 hours(full power)

Battery Life: About 2.5/3.5/4.5hours(all on optional),20 hours (single Color)

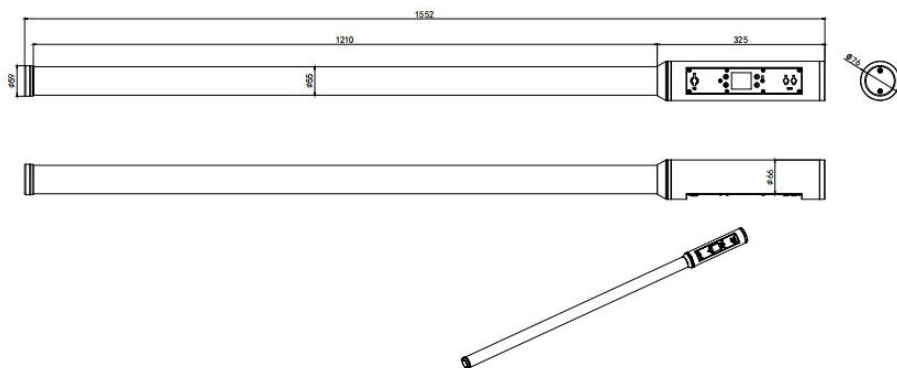
Product dimensions

1552×66×66mm

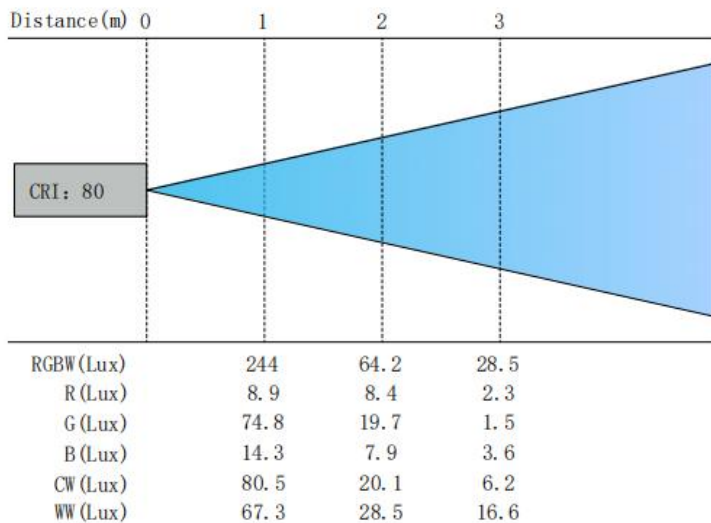
Net weight

3.34kg

Dimensions:



Light output:



M1 54W

M2 42W

M3 33W

3. Operation

3.1 Front panel operation:



MENU	To enter into move backward or leave the menu
UP	To go backward to move up in the menu
DOWN	To go forward to move down in the menu
ENTER	To perform the desired functions

Pressing any button from the home screen will show the selectable menu items from the menu map. When a menu function is selected, the display will immediately show the first available option for the selected menu function. To select a menu item, press <ENTER>.

Use the <UP> and <DOWN> buttons to navigate the menu options. Press the <ENTER> button to select the menu function currently displayed, or to enable a menu option. To return to the previous option or menu without changing the value, press the <MENU> button.

3.2 Board instruction:

Button	Meaning
M	menu
E	enter
▲	up
▼	down

Lock Password: Up-Down-Up-Menu

※	DMX	001~512	DMX address setting		
※	Mode	DMX	10ch/52ch/124ch		
		Auto	Pro00~Pro20/ Sp00~Sp99		
		Sound	Pro00~Pro20 / Se00~Se99		
		Static	Dimmer	000~255	
			Strobe	000~255	
			C-Macro	01~12	
			CTO	000-255	
			Red	000~255	
			Green	000~255	
			Blue	000~255	
			White	000~255	
			Amber	000~255	
			Fade	000~255	
			Jump	000~255	
Slave					
※	Setting	W-Dmx	Link RDX1-Sweden wireless		
			Link RDX2-Guangzhou wireless		
			Unlink RDX-Wireless off		
		Group	1ch / 2ch / 3ch / 4ch / 5ch / 6ch / 7ch		
		Display	On Off: Display screen off in 5s		
		Display Rev	on / off		
		Limiter	Mode1(Brightest) Mode2 Mode3		
		Key Lock	On Off: Password: Up Down Up Menu		
		DMX Fail	Blackout / Sound / Auto / Hold		
※	System	Firmwave	Vxxx		

	Info	Time Info	00H
		Temperature	00°C/ 32F

3.3 Ways to control

The light can be controlled in several ways:



Use infrared remote control, point it at individual lights and press the desired effect. Note that the IR sensor is next to the display.



The light can be controlled by DMX512. The fixture itself has 3.5MM audio sockets, through specialized DMX Cable can be connect with DMX console.

It must be set to DMX mode and Menu(W-DMX--Unlink RDX)



The light can also be controlled by wireless, the built-in receiver Compatible with the world's major wireless communication protocols. Whether you use Sweden or Guangzhou wireless transceiver, we can be fully compatible with it. Group 1-7ch mean: Seven colors of wireless transmitter indicator light

Guangzhou Wireless:

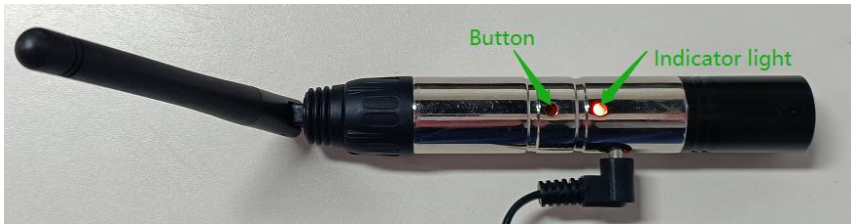
The operation method of fixture using Guangzhou wireless as follows:

Firstly, Set the fixture to DMX Mode

Secondly Set Menu(W-DMX) to Link RDX2

Thirdly, on the Menu(GROUP) set any of groups, Groups 1-7, the color are red, green, yellow, blue, purple, cyan, and white.

Through wireless transmitter button stand switch indicator color, make it keep the same color as wireless group.



The above operation can make wireless pairing successful.

Sweden Wireless:

The operation method of fixture using Sweden wireless as follows:

Firstly,Set the fixture to DMX Mode.

Secondly Set Menu(W-DMX) to Link RDX1.

Thirdly Press wireless transmitter key make it paired with fixtures.

The above operation can make wireless pairing successful.

4. DMX Protocol

10CH	124CH	Function	Value	Description
1	1	Total dimmer	000-255	Dimmer 0%-100%
2	2	Strobe	000-008	No strobe
			009-255	Strobe from slow to fast
3	*	CTO	000-255	Warm white--Cold white
4	*	Red	000-255	Red dimmer 0%-100%
5	*	Green	000-255	Green dimmer 0%-100%
6	*	Blue	000-255	Blue dimmer 0%-100%
7	*	White	000-255	White dimmer 0%-100%
8	*	Amber	000-255	Amber dimmer 0%-100%
	3	Pixel 1 Red	000-255	Section1 Red dimmer 0%-100%
	4	Pixel 1 Green	000-255	Section1 Green dimmer 0%-100%
	5	Pixel 1 Blue	000-255	Section1 Blue dimmer 0%-100%
	6	Pixel 1 White	000-255	Section1 White dimmer 0%-100%
	7	Pixel 1 Amber	000-255	Section1 Amber dimmer 0%-100%

	118	Pixel 24 Red	000-255	Section24 Red dimmer 0%-100%
	119	Pixel 24 Green	000-255	Section24 Green dimmer 0%-100%

	120	Pixel 24 Blue	000-255	Section24 Blue dimmer 0%-100%
	121	Pixel 24 White	000-255	Section24 White dimmer 0%-100%
	122	Pixel 24 Amber	000-255	Section24 Amber dimmer 0%-100%
9	123	Color Chase	000-007	No function
			008-011	Effect 1
			012-015	Effect 2
			016-019	Effect 3
		
			244-247	Effect 60
			248-255	Sound
10	124	Chase speed	0-255	Chase effect from slow to fast

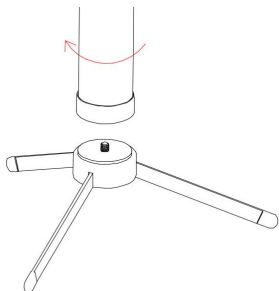
52 Channel			
Channel	Function	Value	Description
1	Total dimmer	000-255	Dimmer 0%-100%
2	Strobe	000-008	No strobe
		009-255	Strobe from slow to fast
3	Pixel 1 CTO	000-255	Section1 Warm white--Cold white
4	Pixel 1	000-255	Section1 Color selection
5	Pixel 2 CTO	000-255	Section2 Warm white--Cold white
6	Pixel 2	000-255	Section2 Color selection
...
41	Pixel 20 CTO	000-255	Section20 Warm white--Cold white
42	Pixel 20	000-255	Section20 Color selection

43	Pixel 21 CTO	000-255	Section21 Warm white--Cold white
44	Pixel 21	000-255	Section21 Color selection
45	Pixel 22 CTO	000-255	Section22 Warm white--Cold white
46	Pixel 22	000-255	Section22 Color selection
47	Pixel 23 CTO	000-255	Section23 Warm white--Cold white
48	Pixel 23	000-255	Section23 Color selection
49	Pixel 24 CTO	000-255	Section24 Warm white--Cold white
50	Pixel 24	000-255	Section24 Color selection
51	Color Chase	000-007	No function
		008-011	Effect 1
		012-015	Effect 2
		016-019	Effect 3
	
		244-247	Effect 60
		248-255	Sound
52	Chase speed	0-255	Chase effect from slow to fast

5. Installation

Small tripod

For a quick vertical setup, the Small tripod can be screwed onto the tube via one of its M8 threads. The Small tripod can be folded together for a convenient transportation.



Please note: the M8 threads are not designed for several tubes to be screwed together to form one long tube element.

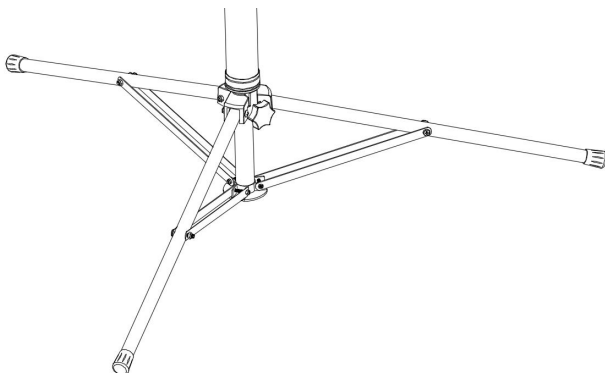
Rings

Rings can be screwed into the M8 Battery Tube



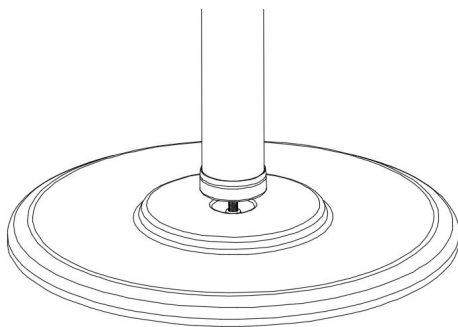
Big tripod(Optional)

For a quick vertical setup, the big tripod can be screwed onto the tube via one of its M8 threads. The Small big tripod can be folded together for a convenient transportation.



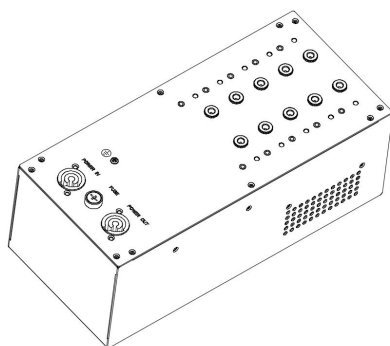
Support base(Optional)

For a quick vertical setup, the support base can be screwed onto the tube via one of its M8 threads.



Charging box(Optional)

The charging box can supply 10 tubes at the same time charge



6.Maintenance & Cleaning

Regular maintenance is essential to ensure optimal performance and extend the service life of the fixture.

6.1 Cleaning

Disconnect the unit from power before any cleaning work.

Use a soft, lint-free cloth slightly dampened with mild detergent to clean the exterior surfaces.

Gently remove dust from ventilation slots, optical lenses, and cooling components using compressed air or a soft brush.

Avoid using solvents, alcohol, or abrasive materials that may damage the housing or optical elements.

6.2 Lubrication

This fixture is designed with sealed or maintenance-free moving parts.

Under normal operating conditions, no additional lubrication is required.

If abnormal noise or movement resistance is observed, contact qualified service personnel before applying any lubricant.

6.3 Troubleshooting

If the fixture does not power on, verify the power supply, cables, and connectors.

For control issues, check DMX addressing, cable integrity, and ensure proper 3-pin/5-pin XLR connections.

Overheating or unexpected shutdown may indicate blocked ventilation; inspect and clean air inlets and outlets.

If problems persist after basic checks, discontinue use and contact authorized service technicians



LEAHUA

Guangzhou Leahua Lighting Technology Ltd

Rm 1004, Building A
Baiyun Lake Future Technology Center
No,1 Xinghu Street, Shimen, Baiyun district
Guangzhou 510440, China
